

Product availability: Non-Stock - Not normally stocked in distribution facility



Main

| | |
|---------------------------|--------------------------------------|
| Range of Product | Modicon STB distributed I/O solution |
| Product or Component Type | Bus extension kit |

Complementary

| | |
|-----------------------|--|
| Kit composition | STBXBE2100 island bus extension STBXTS1110, 5-terminal screw type connector STBXBA2000 I/O base STBXTS2110, 5-terminal spring clamp connector |
| Mounting Location | End of the last segment |
| Product Compatibility | Standard STB modules |
| Electrical connection | 5 pins for CANopen devices for interface |
| Marking | CE |
| Overvoltage category | II |

Environment

| | |
|---------------------------------------|--|
| Electromagnetic compatibility | Immunity to electromagnetic interference IEC 61131-2 |
| Product Certifications | FM Class 1 Division 2 UL CSA |
| Pollution degree | 2 IEC 60664-1 |
| Operating altitude | <= 6561.68 ft (2000 m) |
| IP degree of protection | IP20 conforming to EN 61131-2 class 1 |
| Ambient air temperature for operation | 32...140 °F (0...60 °C) without derating) |
| Ambient Air Temperature for Storage | -40...185 °F (-40...85 °C) |
| Relative humidity | 95 % 140 °F (60 °C) without condensation |
| Vibration resistance | +/-0.35 mm 10...58 Hz 3 gn 58...150 Hz 35 x 7.5 mm symmetrical DIN rail 5 gn 58...150 Hz 35 x 15 mm symmetrical DIN rail |
| Shock resistance | 30 gn 11 ms IEC 88 reference 2-27 |

Ordering and shipping details

| | |
|-----------------------|--------------------------|
| Category | 18215 - ADVANTYS STB I/O |
| Discount Schedule | PC32 |
| GTIN | 03595863949230 |
| Nbr. of units in pkg. | 1 |
| Package weight(Lbs) | 4.73 Oz (134 g) |
| Returnability | No |
| Country of origin | FR |

Packing Units

| | |
|------------------------|-------------------|
| Unit Type of Package 1 | PCE |
| Package 1 Height | 1.06 In (2.7 cm) |
| Package 1 width | 3.15 In (8 cm) |
| Package 1 Length | 5.24 In (13.3 cm) |

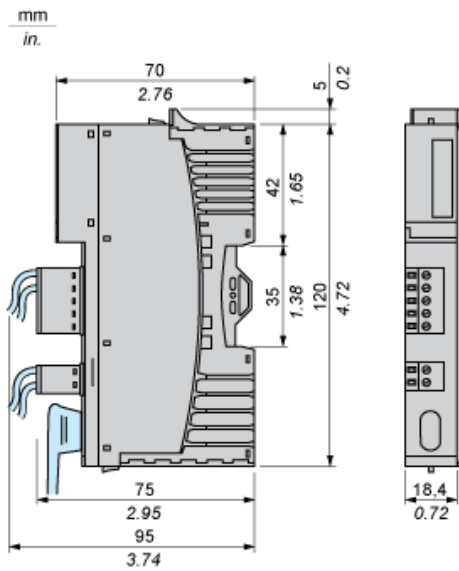
Offer Sustainability

| | |
|---------------------------|---|
| Sustainable offer status | Green Premium product |
| California proposition 65 | WARNING: This product can expose you to chemicals including: Lead and lead compounds, which is known to the State of California to cause cancer and birth defects or other reproductive harm. For more information go to www.P65Warnings.ca.gov |
| REACH Regulation | REACH Declaration |
| REACH free of SVHC | Yes |
| EU RoHS Directive | Pro-active compliance (Product out of EU RoHS legal scope) EU RoHS Declaration |
| China RoHS Regulation | China RoHS Declaration |
| Environmental Disclosure | Product Environmental Profile |
| Circularity Profile | End Of Life Information |

Contractual warranty

| | |
|----------|-----------|
| Warranty | 18 months |
|----------|-----------|

Dimensions



Product Life Status : Commercialised